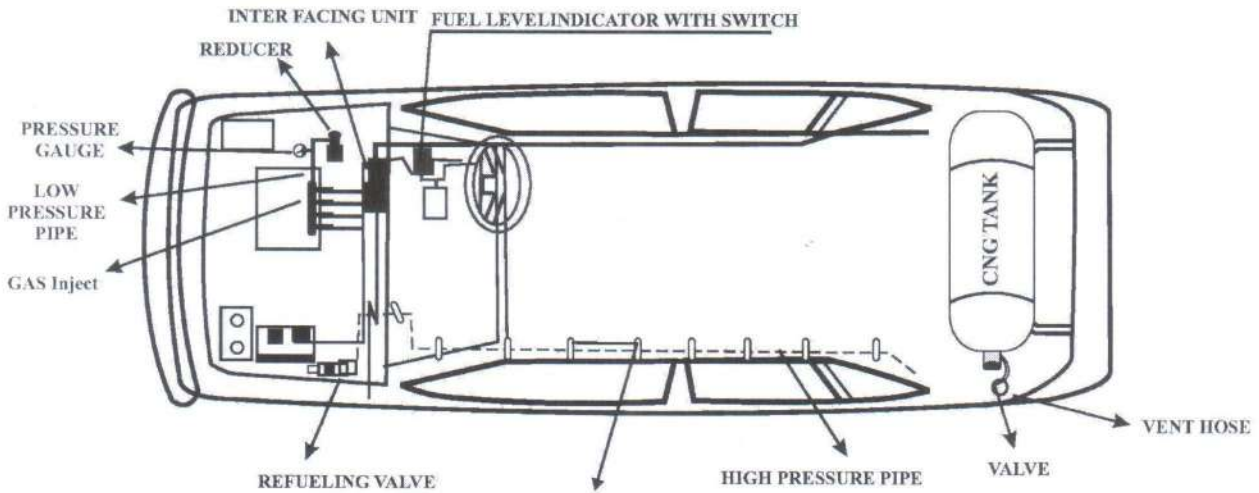
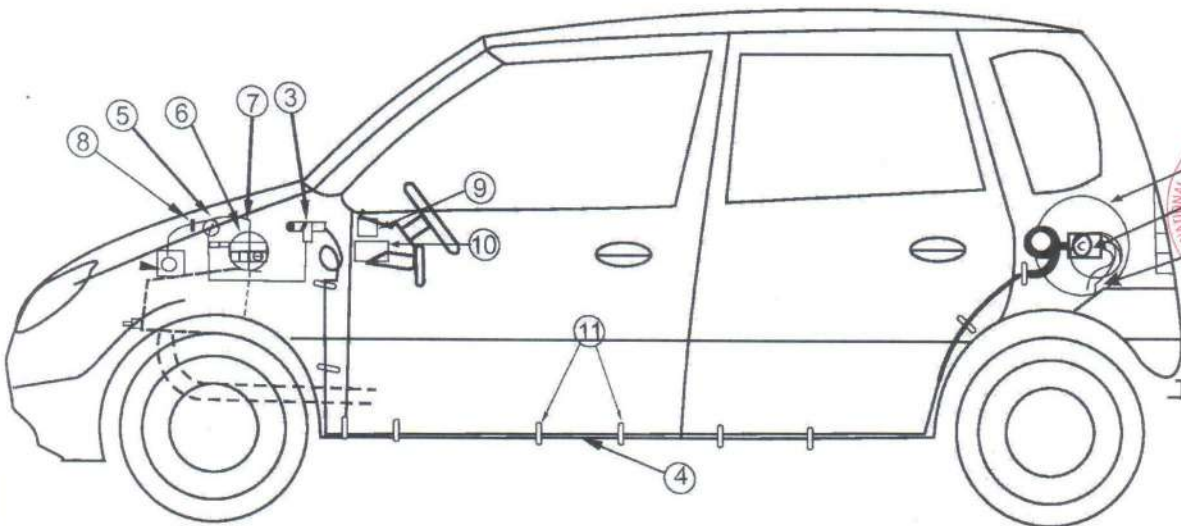


LAYOUT DRAWING FOR CNG KIT FITTED OF MARUTI WAGON R - 998cc - BS - IV

TOP VIEW



SIDE VIEW



EXPLANATION:

- | | | | |
|-----------------------|-----------------------|--------------------|------------------|
| 1. CNG CYLINDER | 2. CNG CYLINDER VALVE | 3. REFILLING VALVE | 4. HP PIPE |
| 5. PRESSURE GAUGE | 6. PRESSURE REGULATOR | 7. LP HOSE | 8. GAS INJECT |
| 9. CHANGE-OVER SWITCH | 10. INTERFACING UNIT | 11. HP CLIPS | 12. CONDUIT PIPE |